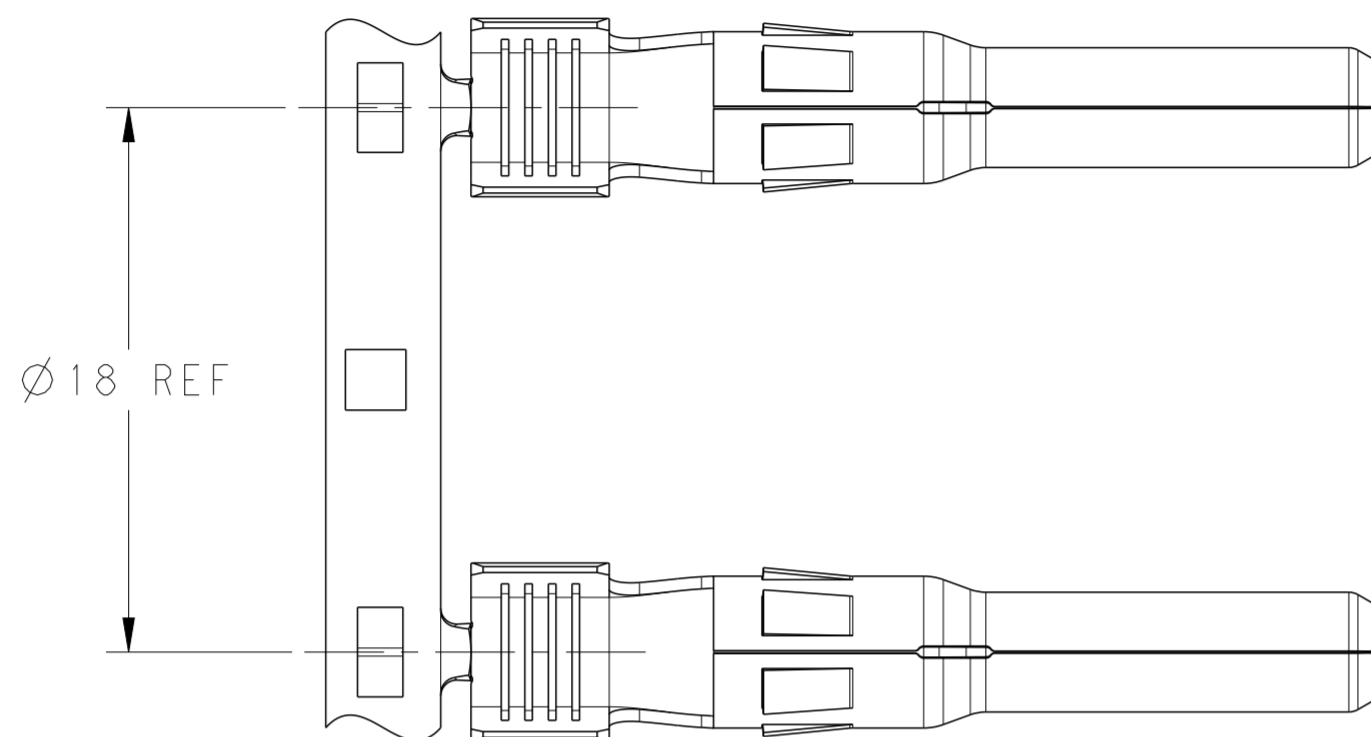
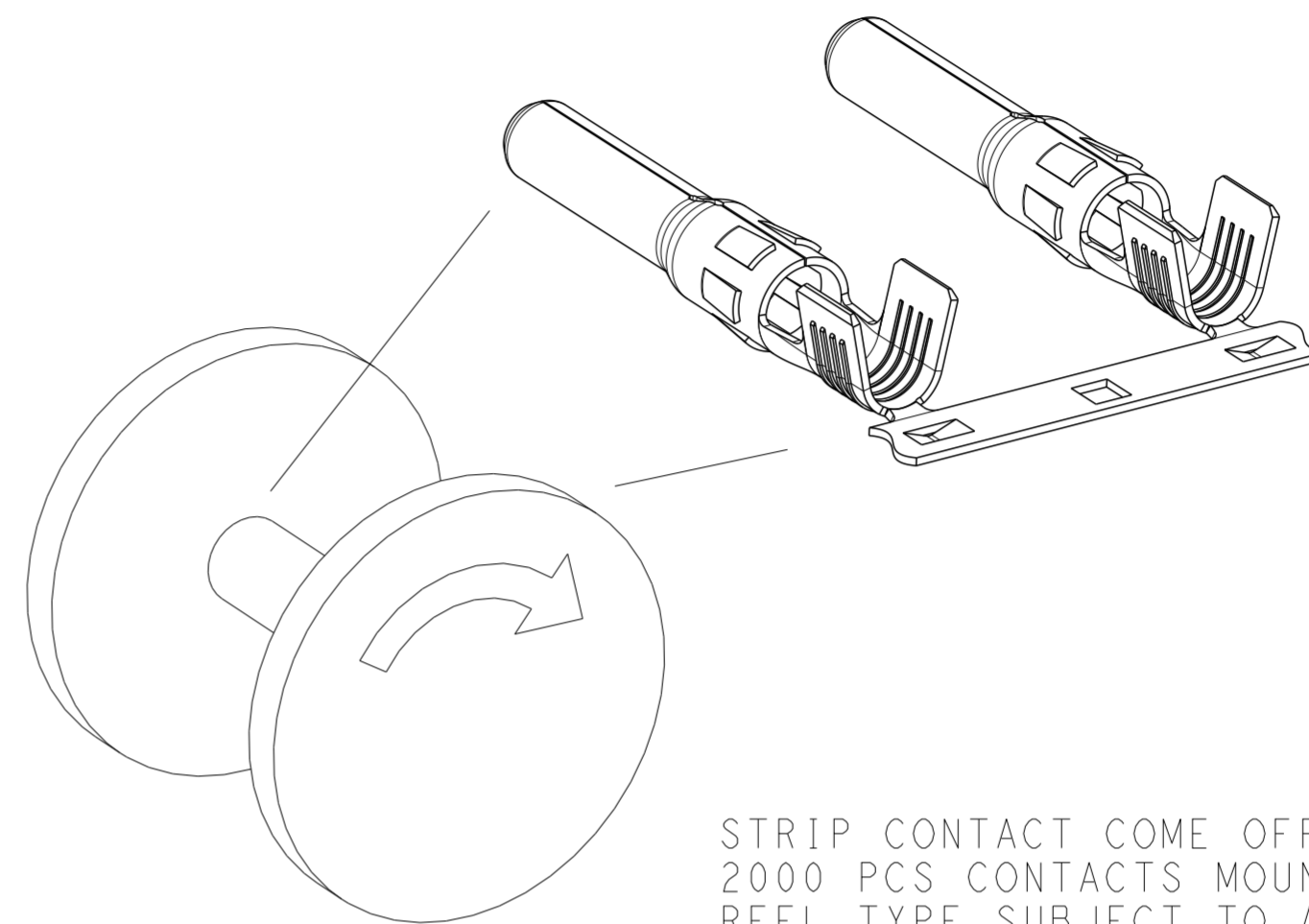


LOC	DIST	REVISIONS			
P	LTR	DESCRIPTION	DATE	DWN	APVD
A1		ECR-12-016601	18OCT2012	CW	PY
A2		ECR-13-013865	04SEP2013	LW	PY
A3		ECR-14-015468	20OCT2014	LW	PY
A4		ECR-15-005723	13APR2015	KR	TD



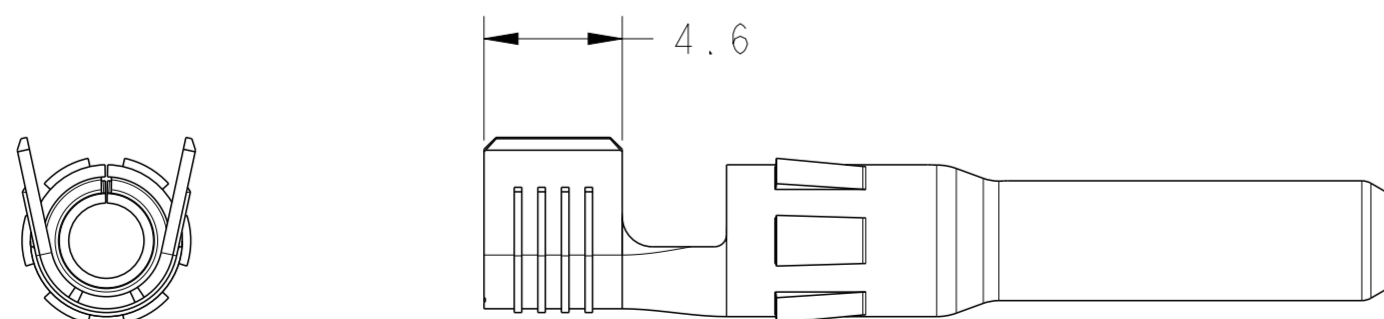
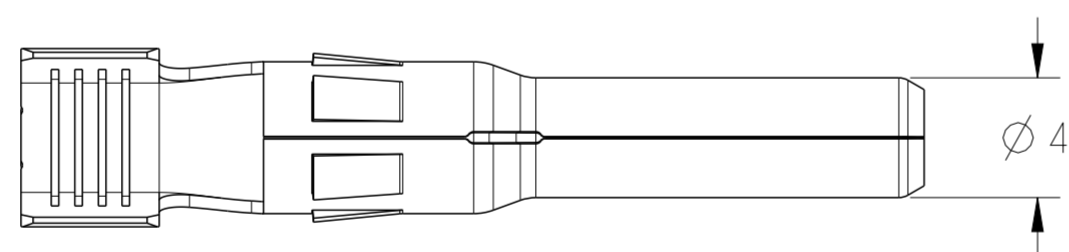
STRIP
-2 AS SHOWN



STRIP CONTACT COME OFF TO ASSEMBLY
 2000 PCS CONTACTS MOUNTED REEL
 REEL TYPE SUBJECT TO ALTERNATION

- 1. MATERIAL: COPPER ALLOY, TIN PLATED
- 2. USED FOR SOLAR CABLE: 4mm²/12AWG, 6mm²/10AWG.

③ USE ONLY CRIMPING TOOL OF TE CONNECTIVITY TO CRIMP CONTACT.
 CRIMPING TOOL PN 6-1579014-8 WILL BE USED FOR
 CRIMPING THE CONTACTS HAVING WIRE SIZE 4.0mm²+6.0mm².



LOOSE PIECE
-3 AS SHOWN

LOOSE PIECE	1971857-6	1
	1971857-5	10
	1971857-4	100
	1971857-3	1000
STRIP	1971857-2	2000
CONTACT TYPE	PART NUMBER	PACKING UNIT
	FOR ORDER	

THIS DRAWING IS A CONTROLLED DOCUMENT.		DWN	09AUG2012	STE TE Connectivity			
DIMENSIONS:		CHK	09AUG2012				
mm		APVD	09AUG2012				
TOLERANCES UNLESS OTHERWISE SPECIFIED:		NAME	PETER YIN				
0 PLC	±0.5	PRODUCT SPEC	108-106078	PIN CONTACT SOLARLOK PV4 CONNECTOR			
1 PLC	±0.3	APPLICATION SPEC	114-106078				
2 PLC	±	WEIGHT	-	SIZE	CAGE CODE	DRAWING NO	RESTRICTED TO
3 PLC	±	MATERIAL	COPPER ALLOY	A2	00779	G-1971857	-
4 PLC	±	FINISH	TIN	Customer Drawing	SCALE	4:1	SHEET 1 OF 1
ANGLES	±					REV A4	