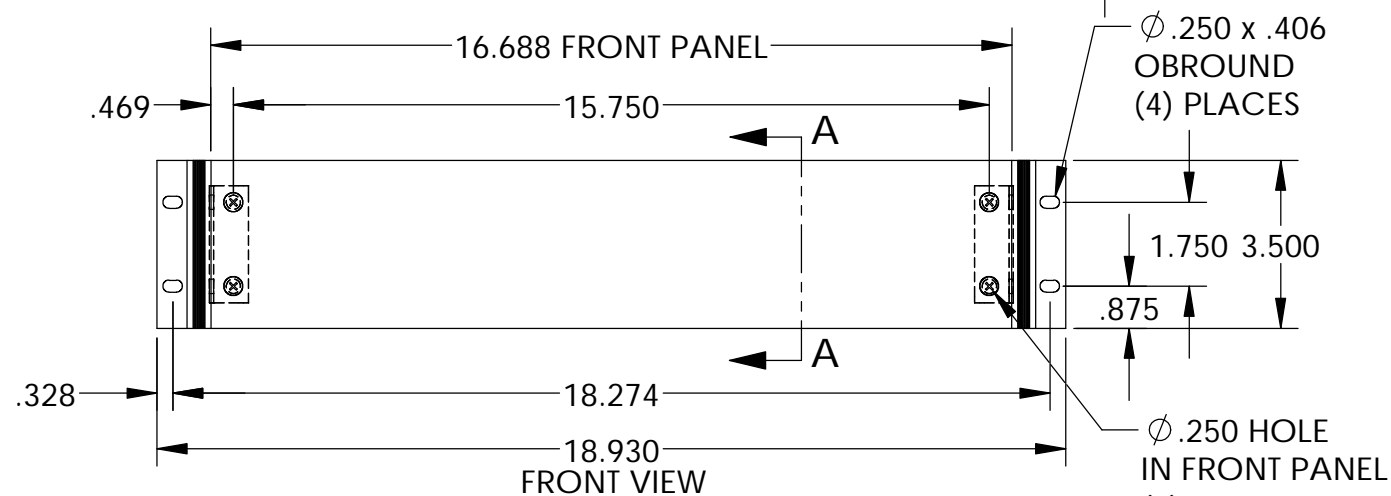
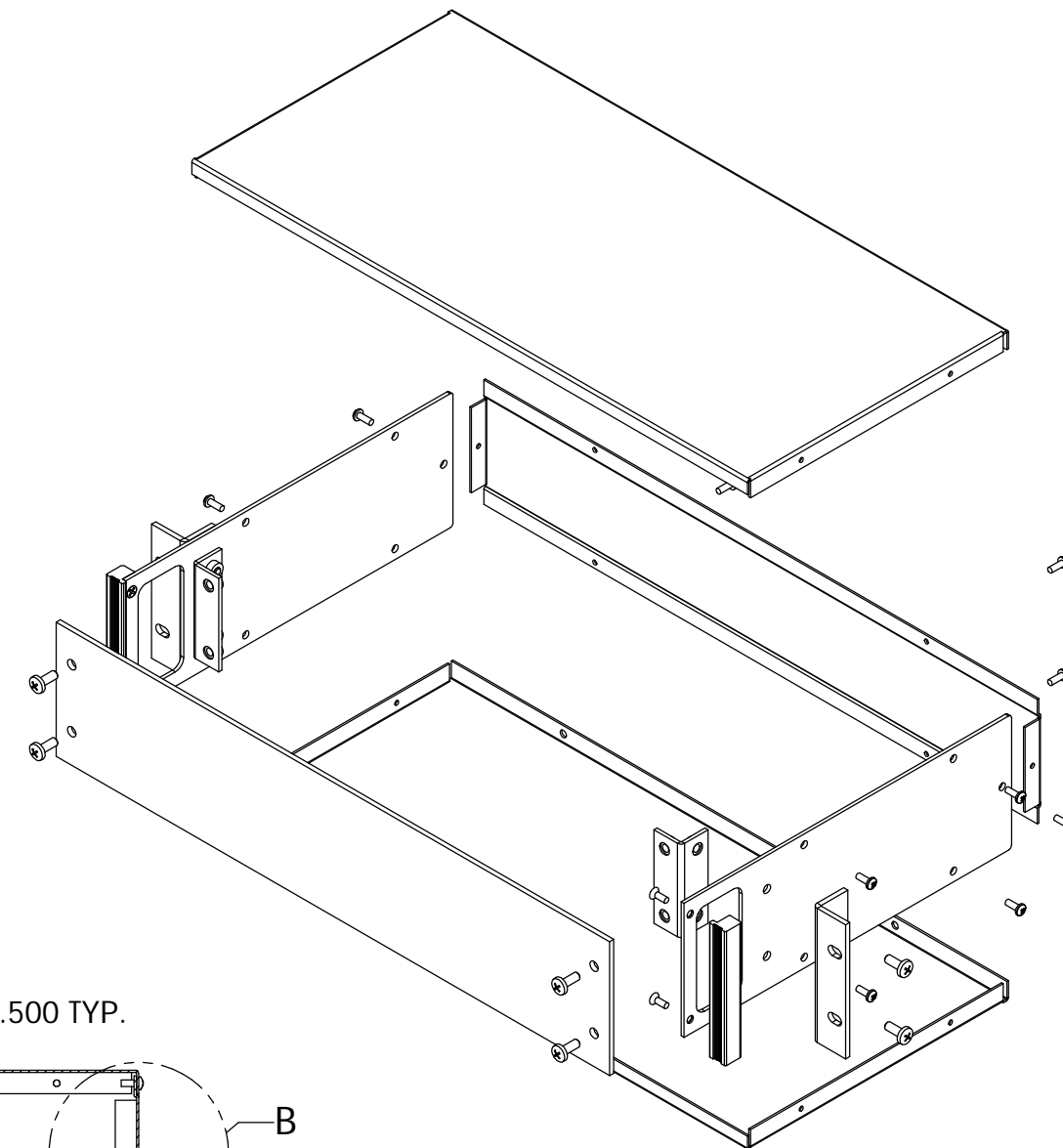
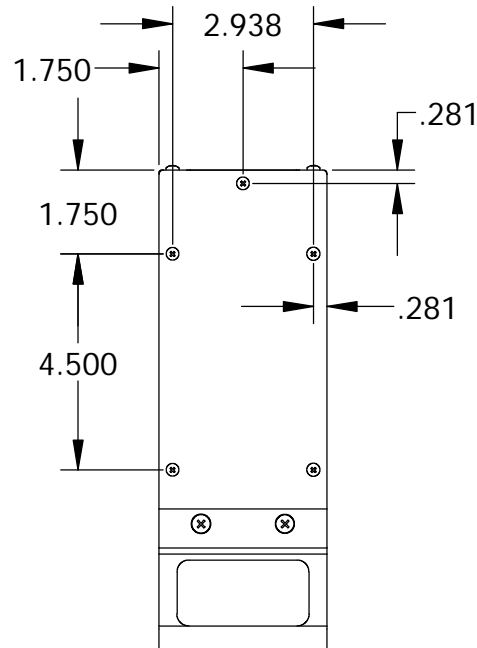
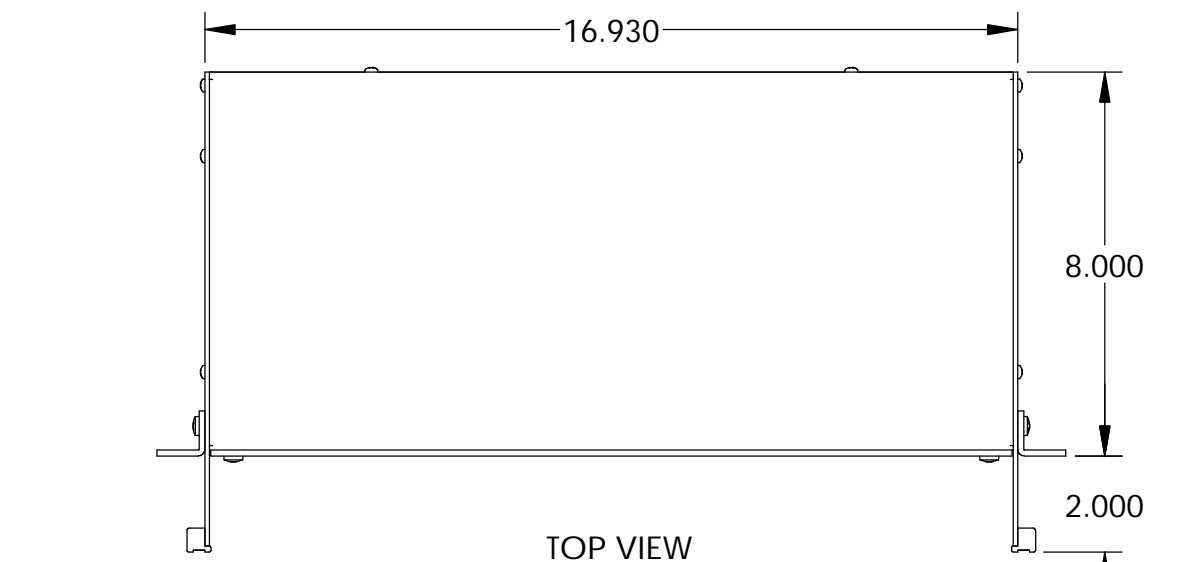


UNIT SHIPPED UNASSEMBLED.

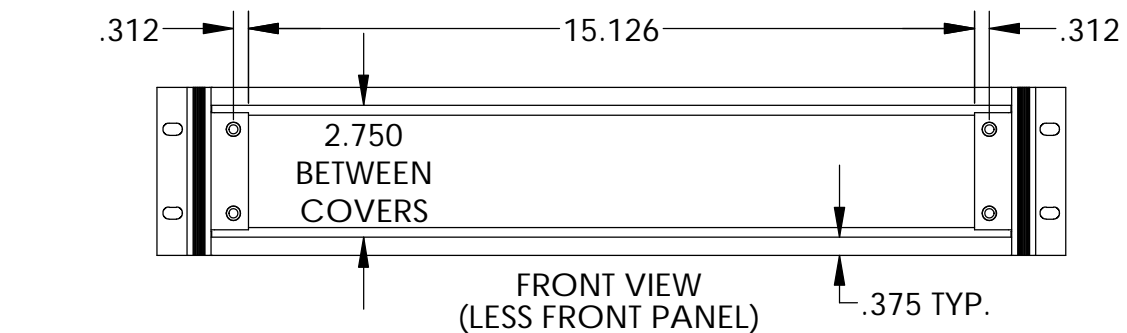
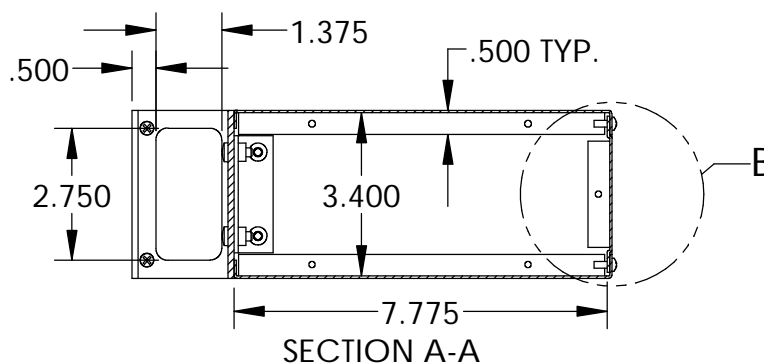
OUTER BRACKETS FOR MOUNTING IN STANDARD 19" WIDE CABINETS.

OPTIONAL SELF-ADHESIVE RUBBER FEET (SUPPLIED)

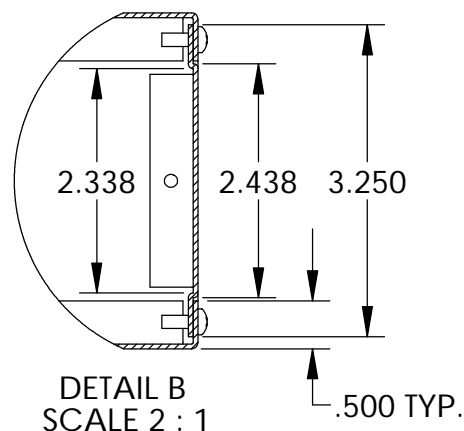
LOAD RATING: 25 LBS. MAX.



SECTION A-A



Ø .250 x .406 OBROUND (4) PLACES
Ø .250 HOLE IN FRONT PANEL (4) PLACES



MATERIAL:

- BACK & COVERS _____ 0.050 THICK ALUMINUM
- SIDES & INNER BRACKETS _____ 0.090 THICK ALUMINUM
- FRONT PANEL _____ 0.125 THICK ALUMINUM
- OUTER BRACKETS _____ 11 GA. C.R.S.
- HANDLE EXTRUSIONS _____ ALUMINUM

FINISH:

- BACK & COVERS _____ PREPAINTED SMOOTH WHITE
- SIDES & OUTER BRACKETS _____ WHITE TEXTURED
- FRONT PANEL _____ NATURAL (OUTSIDE SURFACE TAPED WITH PVC)
- INNER BRACKETS _____ NATURAL
- HANDLE EXTRUSIONS _____ CAUSTIC ETCH & CLEAR ANODIZED
- FEET _____ BLACK