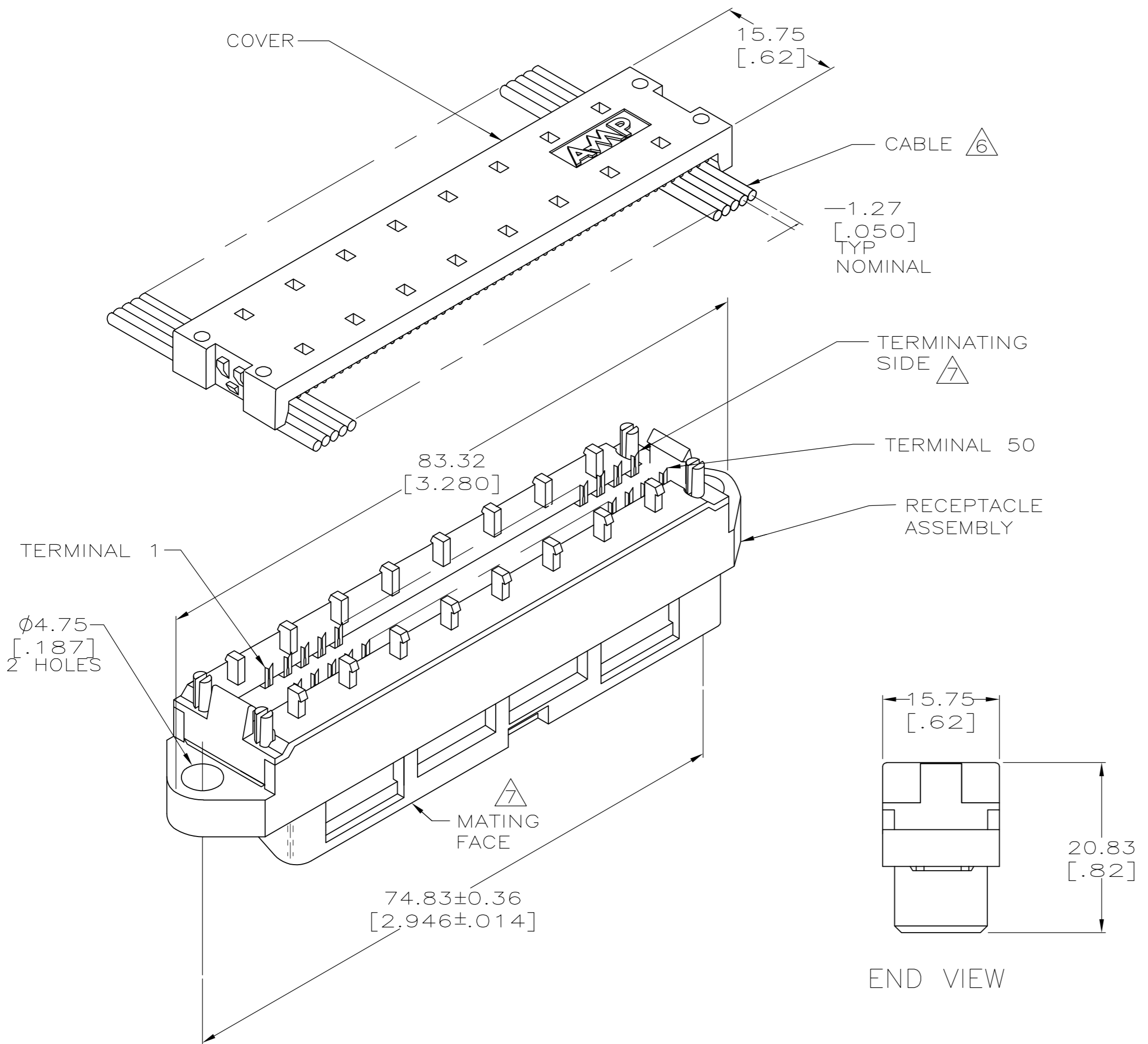


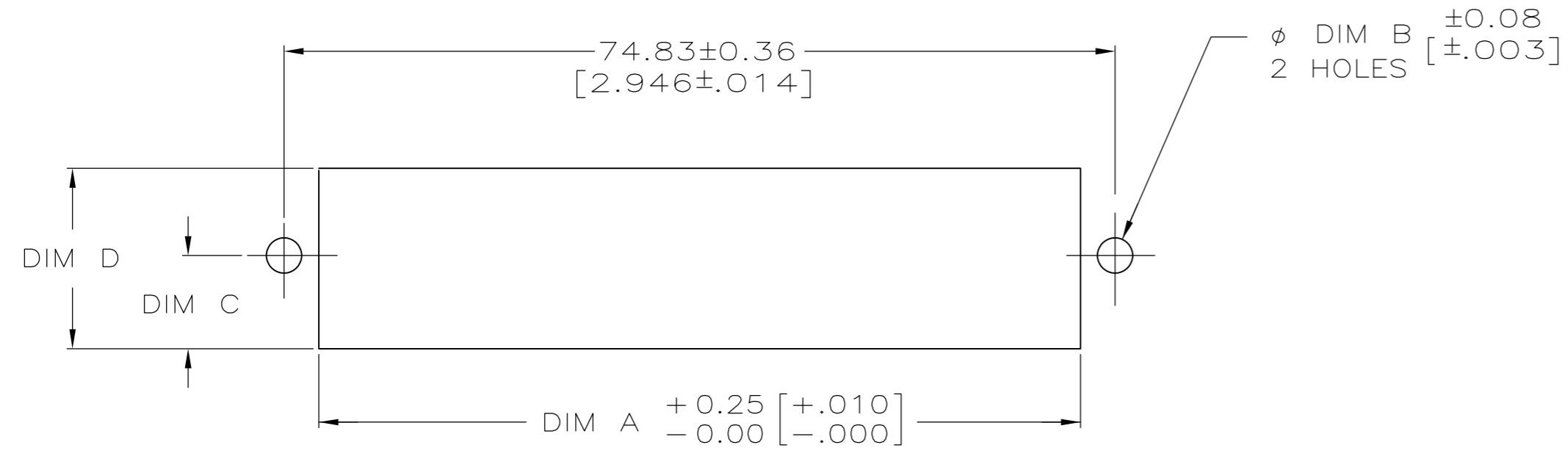
THIS DRAWING IS UNPUBLISHED. RELEASED FOR PUBLICATION  
 © COPYRIGHT BY TYCO ELECTRONICS CORPORATION. ALL RIGHTS RESERVED.

LOC	DIST	REVISIONS					
GP	00	P	LTR	DESCRIPTION	DATE	DWN	APVD
		P		REVISED PER ECO-08-007327	17APR08	BM	WM



1. THE CONTACT SURFACES OF THE TERMINALS ARE COATED WITH LUBRICANT.
- $\triangle 2$  MATERIAL:  
HOUSING & COVER - THERMOPLASTIC (BLACK).  
TERMINALS - PHOS BRONZE PLATED WITH EITHER 0.76 $\mu$ m [.000030] MINIMUM GOLD PLATE OR GOLD FLASH OVER PALLADIUM NICKEL PLATE, 0.76 $\mu$ m [.000030] MIN TOTAL ON MATING SURFACE. GOLD FLASH PLATED ON TERMINATING SIDE. 1.27 $\mu$ m [.000050] MINIMUM NICKEL UNDERPLATE OVER ENTIRE TERMINAL.
- $\triangle 3$  BULK PACKAGED 500 PER CONTAINER.
4. WIRE RANGE: 26 AWG SOLID THRU 30 AWG AND 28 AWG STRANDED RIBBON CABLE.
5. ALL DIMENSIONS SHOWN ARE FOR REFERENCE ONLY UNLESS OTHERWISE SPECIFIED.
- $\triangle 6$  FLAT CABLE SHALL BE FURNISHED BY CUSTOMER.
- $\triangle 7$  MATING FACE CONSISTS OF TWO ROWS OF TERMINALS ON 2.16 [.085] CENTERS. TERMINATING SIDE CONSISTS OF TERMINALS ON 2.54 [.100] CENTERS FOR AN EFFECTIVE 1.27 [.050] TERMINATION.
- $\triangle 8$  PANEL THICKNESS RANGE:  
FRONT PANEL MOUNTING - 3.18 [.125] MAXIMUM.  
REAR PANEL MOUNTING - 1.58 [.062] MAXIMUM.
- $\triangle 9$  ALL DIMENSIONS SHOWN ARE MAXIMUM UNLESS OTHERWISE SPECIFIED.

15.75 [.620]	7.87 [.310]	3.78 [.149]	68.58 [2.700]	REAR PANEL MOUNTING
16.26 [.640]	8.13 [.320]	3.20 [.126]	68.58 [2.700]	FRONT PANEL MOUNTING
DIM D	DIM C	DIM B	DIM A	DESCRIPTION



SUGGESTED PANEL CUTOUT  $\triangle 8$

THIS DRAWING IS A CONTROLLED DOCUMENT.		DWN 12-17-93 K. TILLMAN/JTA	100 PER TRAY	ASSEMBLED	554090-1
DIMENSIONS: mm [INCHES]		CHK 9-2-94 C. WHITT	PACKAGED	COVER	PART NO
TOLERANCES UNLESS OTHERWISE SPECIFIED:		APVD 9-9-94 J. TRAMMEL	Tyco Electronics Corporation Harrisburg, PA 17105-3608		
0 PLC ± -		PRODUCT SPEC	RECEPTACLE ASSEMBLY, 50 POSITION, PANEL MOUNTING, LOW PROFILE, CHAMP LATCH		
1 PLC ± -		APPLICATION SPEC	SIZE	CAGE CODE	DRAWING NO
2 PLC ± - $\triangle 9$		108-6076	A2	00779	C=554090
3 PLC ± -		114-6030	RESTRICTED TO	-	
4 PLC ± -		WEIGHT -	SCALE 2:1 SHEET 1 OF 1 REV P		
ANGLES ± -		FINISH $\triangle 2$	CUSTOMER DRAWING		