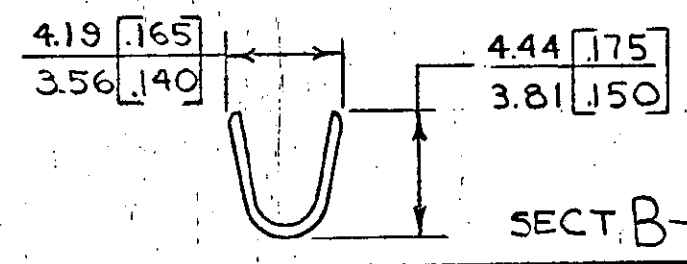
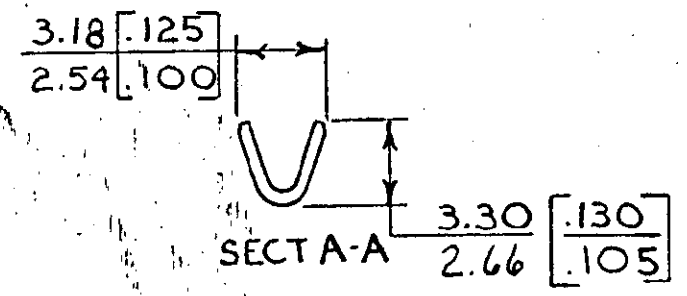
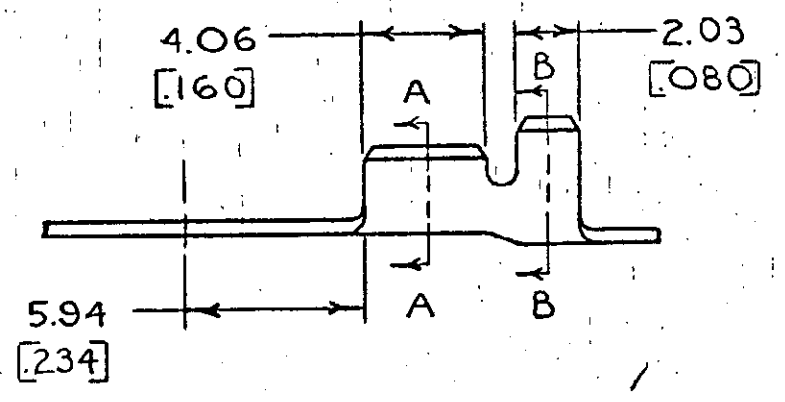
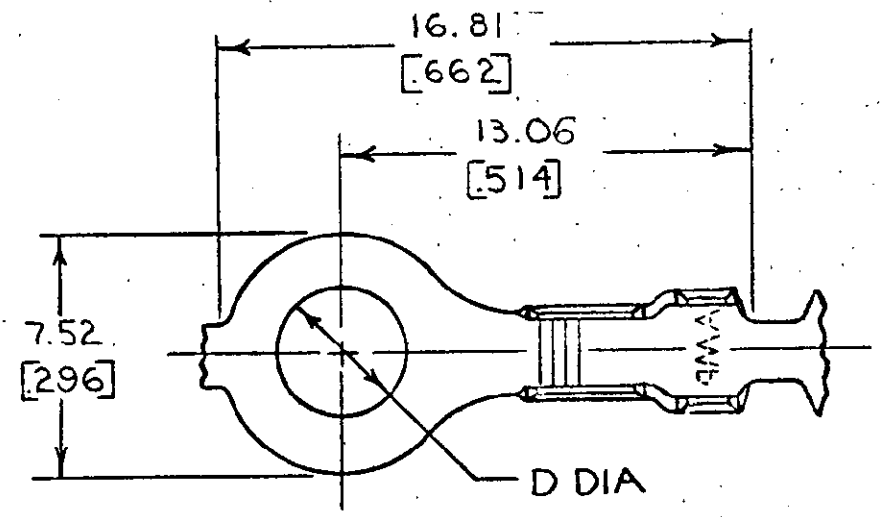


© COPYRIGHT 1968 BY AMP INCORPORATED, HARRISBURG, PA.  
 ALL INTERNATIONAL RIGHTS RESERVED. AMP INCORPORATED PRODUCTS  
 COVERED BY U. S. AND FOREIGN PATENTS AND/OR PATENTS PENDING.



1. CONTINUOUS STRIP ON REELS  
 2. DIMENSIONS IN BRACKETS  
 ARE IN INCHES.


**METRIC**

OBSOLETE

		REVISIONS			LOC	DIST
P	F	ZONE	LTR	DESCRIPTION	DATE	APPROVED
✓			G	REDRAWN & REVISED A-3943	4-11-78	DJP
✓			H	OBSOLETE 42036-3, -4, -5 A-3874	6-29-78	SS/
✓			J	REVISED PER A-6100	7/25/83	SS/ GY
✓			K	OBSOLETE 42036-0 AF-3702	5/16/88	TMS/ GY
			L	REV PER 0459-94	9/9/84	PMF/ GY

INSULATION RANGE	WIRE RANGE	STUD SIZE	D	FINISH	MATERIAL	PART NO
2.03-2.79 [080-.110]	0.3mm <sup>2</sup> 1.0mm <sup>2</sup> [22-18]	#10	5.00 [197]			-5
		M4-#8	4.34 [17]			-4
		M3.5-#6	3.68 [145]	NONE	0.51 [020] COPPER	-3
		#10	5.00 [197]			-2
		M4-#8	4.34 [17]			-1
		M3.5-#6	3.68 [145]	NONE	0.51 [020] BRASS	42036-0

UNLESS OTHERWISE SPECIFIED DIMENSIONS ARE IN INCHES. M M TOLERANCES ON: DECIMALS ±0.38 [015] ANGLES ± 1° 0'	CONTRACT NO	 AMP INCORPORATED Harrisburg, Pa.
MATERIAL	DR D. FABIAN 4-11-78	
SEE TABLE	CHK G YETTER 5-5-78	
FINISH	APPD R. Kridu 5-16-78	
SEE TABLE	APPD R.P. Frantz 5/16/78	
	DSGN APPD R.P. Frantz 5/16/78	NAME
	OTHER APPD	RING
		SIZE B
		CODE IDENT NO 00779
		DRAWING NO 42036
		SCALE
		SHEET